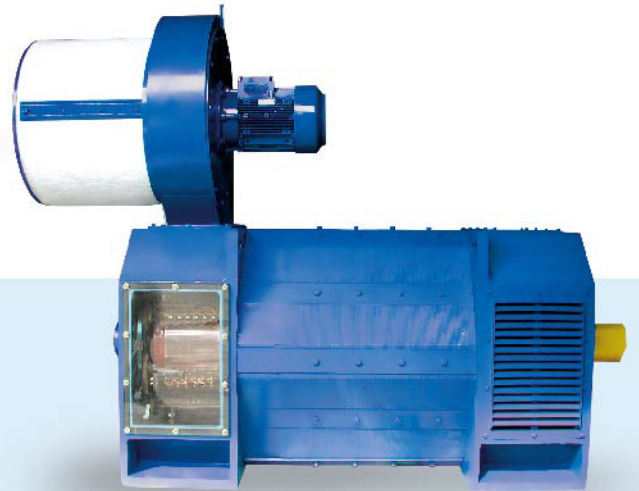




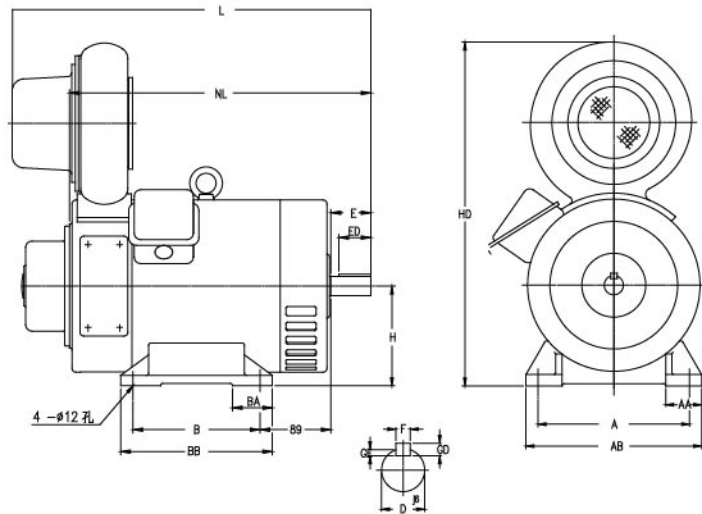
DC ELECTRIC MOTOR



ISO 9001
certification
www.cutes.com.tw

No.	Item	Specification
1.	Model	DFH : Drip-proof, forced cooling, shunt excitation
2.	Output	1.5KW ~ 2200KW
	Base Speed	Standard:1750RPM, 1450R, 1150RPM, 850RPM, 750RPM, 600RPM, 500RPM. (Other RPM on request)
	Armature voltage	230V / 380V / 460V / 600V / 650V / 700V / 750V / 800Vdc, depend on different type. (Other voltage on request)
	Field voltage	160Vdc~340Vdc, depend on different type. (Other voltage on request)
3.	Speed Control Range	Armature control:1:10 Field control:On request
4.	Over Load Capacity	150 % x1 minute or 200 % x1 minute
5.	Standards	Outline dimensions:IEC72 Frame assignment:CUTES' standard Characteristics:JIS, JEM, JEC
6.	Environments	Non-hazardous indoor use Ambient temperature:-10°C ~ 40°C Altitude:Under 1000 meters above sea level Relative humidity:Under 90%RH
7.	Enclosure & Protection	IP 23:Drip-proof, protected against solid objects greater than 12mm and against drops of water falling up to 15° from vertical
8.	Ventilation	IC 06:Motor blower forced cooling
9.	Mounting	IM 1001:Horizontal foot mounted
10.	Rotation	Reversible
11.	Frame	Lamination,Round
12.	Shaft End	Single cylindrical shaft extension, carbon steel
13.	Bearing	Roller bearing
14.	Grease	Alvania NO. 2
15.	Commutator bar	CMB-3
16.	Brush	Electro-graphite
17.	Terminal box	Enclosed, located on right side when viewed from drive end
18.	Insulation	F class
19.	Temperature rise	B class
20.	Excitation	Shunt
21.	Tachogenerator	AC 1Ø 20V/1000RPM / DC 60V/1000RPM / pulse generator
22.	Painting	Munsell 7.5BG4/2 or Munsell No.7.5B4/6
23.	Over speed test	125% of maximum speed for 1 minute
24.	Insulation resistance (by 500Vdc Megger)	Minimum 100MΩ for field windings Minimum 50MΩ for armature windings
25.	Dielectric test	AC 60Hz(1000+2E)V and 1500V minimum for 1 minute (E:Rated voltage)
26.	Noise	Under 95dB(A) for 1 meter distance from outside of motor
27.	Vibration	Should not exceed 0.025mm (peak to peak)
28.	Outline drawing	Refer outline dimension drawing
29.	Thermo-sensor	F#450 & below:Thermostat N.C. 145°C x 1 Piece For Coil F#500 & above:PT100 x 2 Pieces For Coil
30.	Space heater	200W~2000W 1Ø220V~440V depend on frame size
31.	Cooling fan	Use depend on frame size

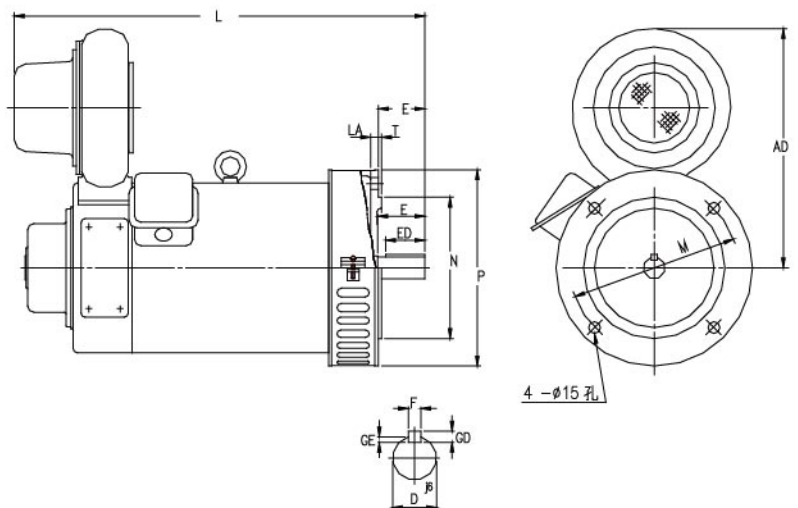
Foot mount with cooling fan



Output		Rated Speed (RPM)	FRAME	Outline Dimension(mm)											Shaft Extension(mm)					
HP	KW			A	AA	AB	B	BA	BB	C	H	K	L	NL	E	ED	D	GD	GE	F
2	1.5	1750	125L-5A	190	45	220	159	50	190	89	125	12	435	385	50	40	24	7	4	8
3	2.2	1750	125L-5B	190	45	220	159	50	190	89	125	12	485	435	60	50	28	7	4	8
5	3.7	1750	125L-5C	190	50	220	203	50	230	89	125	12	545	495	60	50	28	7	4	8

Note : Due to our commitment to ongoing technological progress, we reserve the right to modify the technical specification without prior notice.

Flang mount with cooling fan



Output		Rated Speed (RPM)	FRAME	Outline Dimension(mm)											Shaft Extension(mm)					
HP	KW			M	N	P	T	LA	L	NL	S	E	ED	D	GD	GE	F			
2	1.5	1750	125L-5A	165	130	216	3.5	10	435	385	12	50	40	24	7	4	8			
3	2.2	1750	125L-5B	215	180	250	4	10	485	435	15	60	50	28	7	4	8			
5	3.7	1750	125L-5C	215	180	250	4	10	315	550	15	60	50	28	7	4	8			

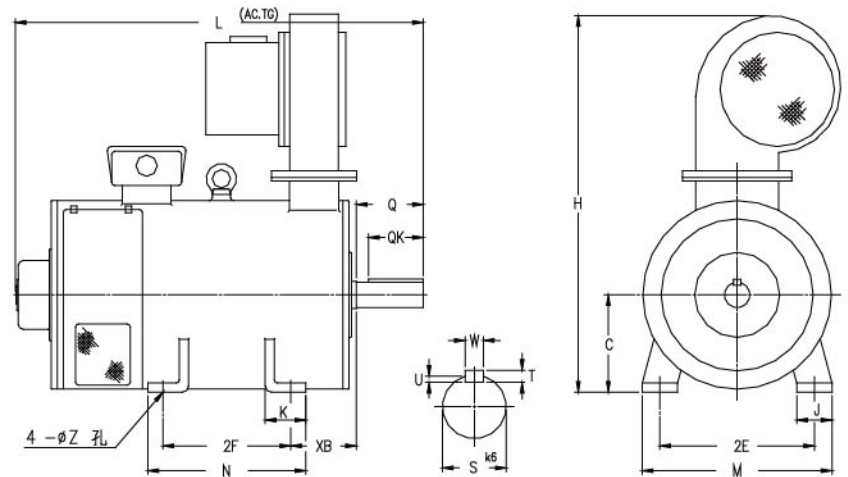
Note : Due to our commitment to ongoing technological progress, we reserve the right to modify the technical specification without prior notice.

D.C MOTOR

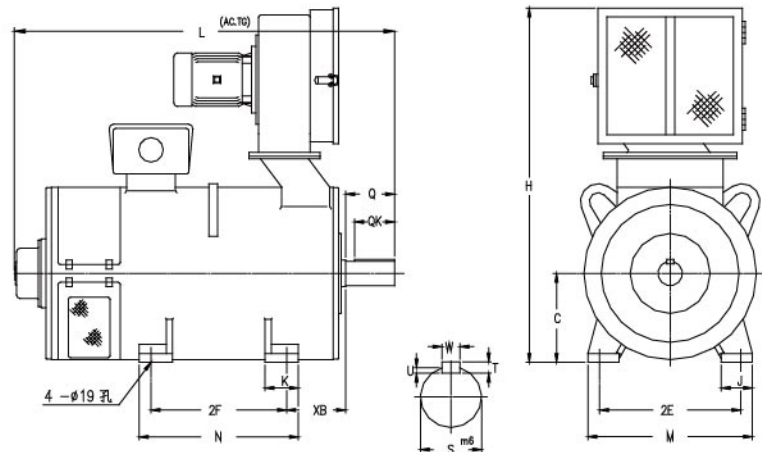
OUTLINE DIMENSIONS

www.cutes.com.tw

F#160&BELOW



UP to F#180



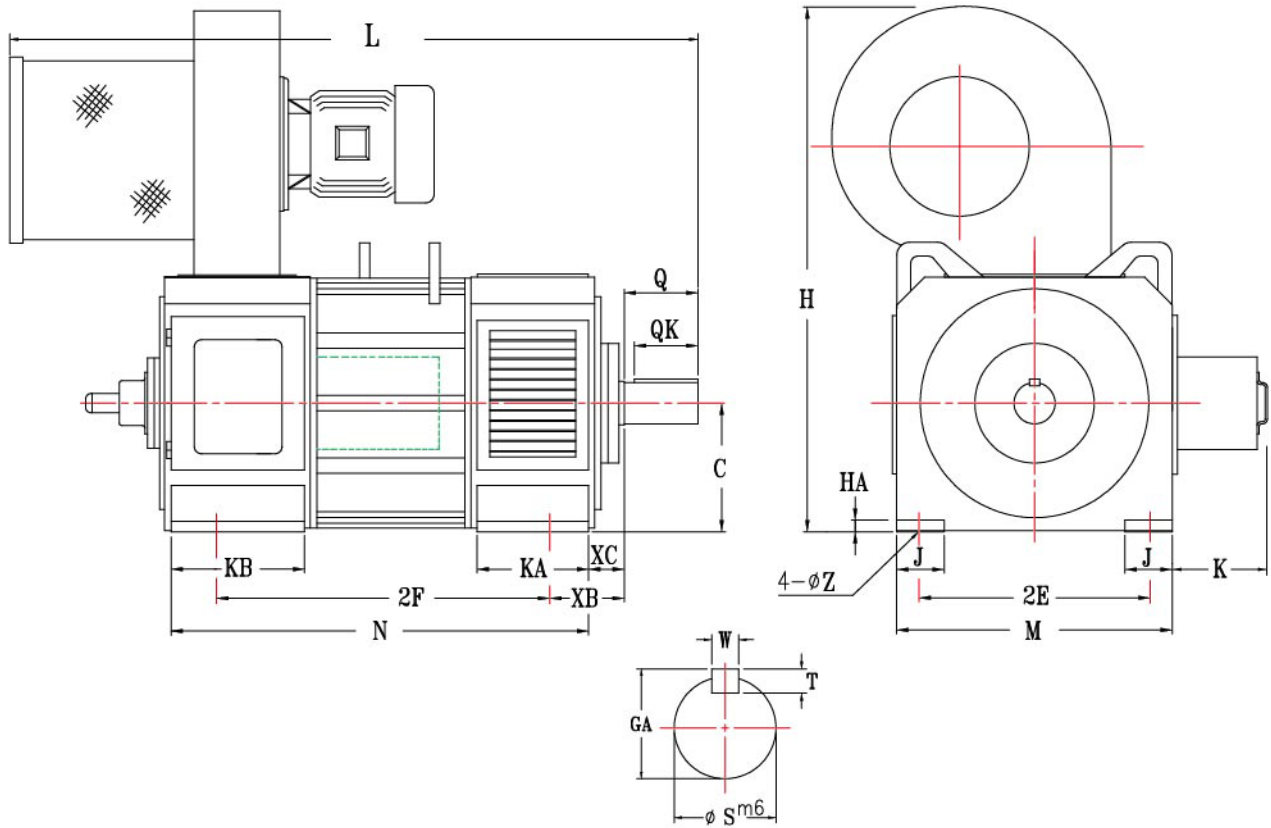
	KW		C	2E	2F	H	J	K	L	M	N	XB	Z	Q	OK	S	T	U	W
	1750RPM	1150RPM																	
132M	5.5		132	216	178	570	45	55	580	260	220	89	12	80	60	38	8	5	10
132L	7.5	5.5			203				640										
160M	11	7.5	160	254	210	640	58	68	670	312	260	108	15	110	90	42	8	5	12
160L	15				254				730										
180L	18.5/22	11/15	180	279	279	760	60	70	760	324	324	121	15	110	90	48	9	5.5	14
180A	30	18.5			318				870										
200L	37	22	200	318	305	80	70	75	870	370	358	133	19	110	90	55	10	6	16
200A	45	30			356				950										
225L	55	37	225	356	356	1000	70	80	1020	420	410	149	19	140	110	65	11	7	18
225B	75	45			457				1130										
250L	93	55	250	406	406	1050	70	100	1300	460	470	168	24	140	110	75	12	7.5	20
250A	110	75			457				1350										
250B	132	93		508	580														
280L	150	110	280	457	457	1080	75	95	1450	520	520	190	24	170	140	85	14	9	22
280B	220	132			560				1620										
315L	265	150	315	508	508	1200	100	100	1510	590	580	216	28	170	140	95	14	9	25
315B	335	220			630				1630										

Note : Due to our commitment to ongoing technological progress, we reserve the right to modify the technical specification without prior notice.

D.C MOTOR

OUTLINE DIMENSIONS

www.cutes.com.tw



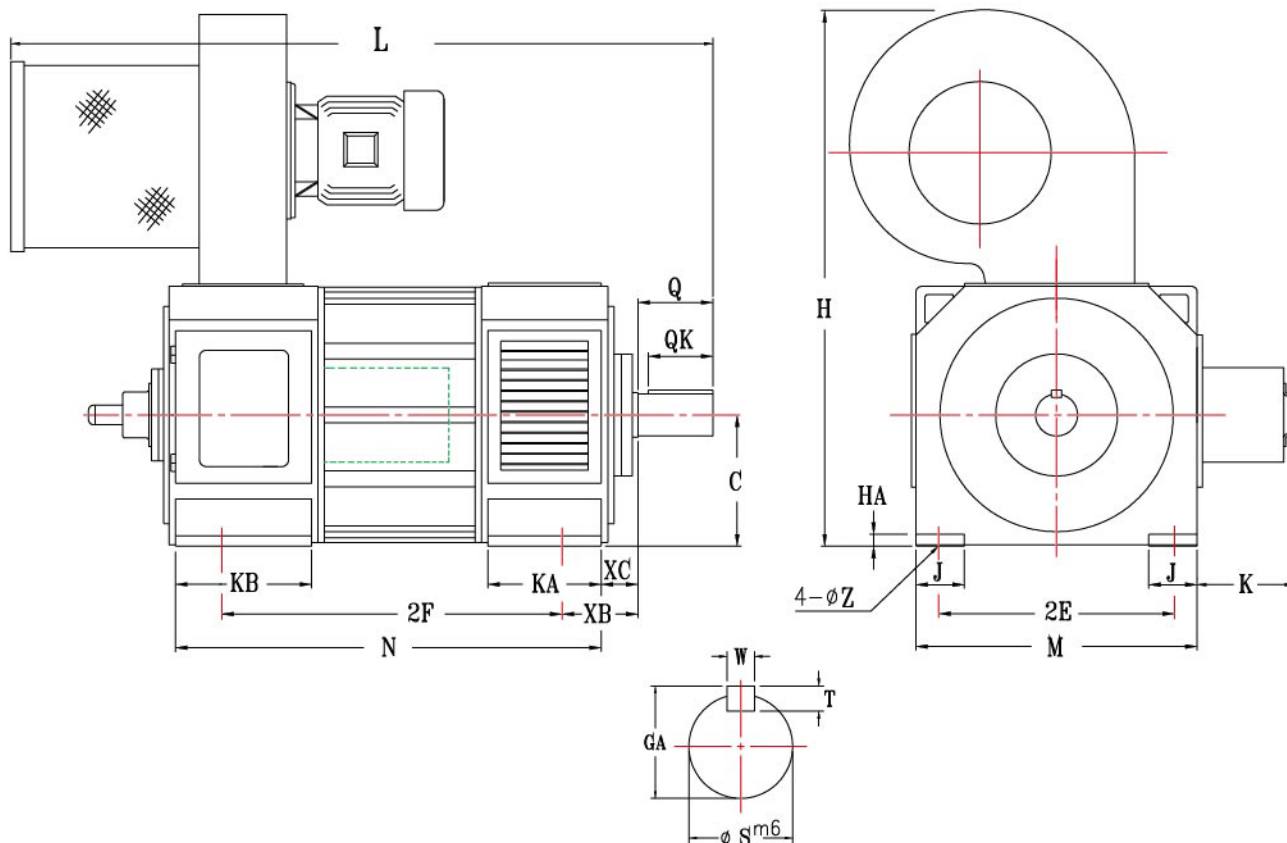
Frame	C	2E	2F	J	M	KA	KB	N	XB	XC	HA	H	K	Z	L	Q	QK	S	W	T	GA
225LA1			820					1100							1560						
225LB1	225	356	870	90	440	175	345	1150	149	64	25	980	255	19	1620	170	140	85	22	14	90
225LB2			920					1200							1680						
250LB1			800					1140				1050			1700						
250LB2	250	406	800	100	495	205	435	1140	168	68	25	1370	290	24	1700	170	140	85	22	14	90
250LC1			950					1240				1370			1800			95	25	14	100
280LB1			1030					1370				1090			1920						
280LB2	280	457	1030	120	545	205	302	1370	190	74	25	1430	310	24	1920	220	180	100	28	16	106
280LC1			1110					1450				1430			2000						

Note : Due to our commitment to ongoing technological progress, we reserve the right to modify the technical specification without prior notice.

D.C MOTOR

OUTLINE DIMENSIONS

www.cutes.com.tw



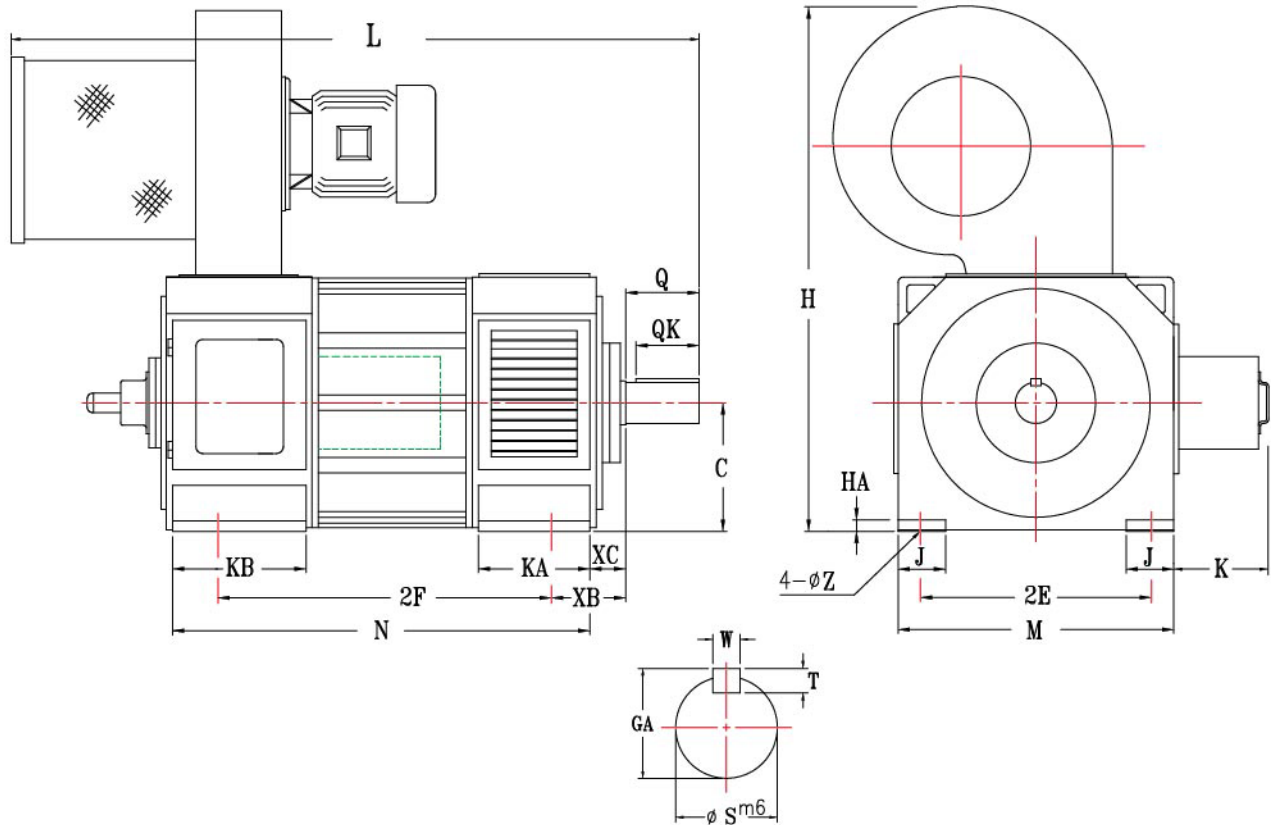
Frame	C	2E	2F	J	M	KA	KB	N	XB	XC	HA	H	K	Z	L	Q	QK	S	W	T	GA
315LL1			935					1270							2050						
315LA1	315	508	1035	120	625	304	470	1370	216	100	25	1800	330	28	2150	210	180	100	28	16	106
315LB1			1125					1460							2240						
355LL1			1130					1422							2170						
355LA1	355	610	1190	120	700	304	304	1482	254	110	25	1850	330	30	2230	210	180	110	28	16	116
355LB1			1280					1572							2320						
400LL1			1175					1560							2340						
400LA1	400	686	1285	140	790	304	375	1670	280	120	30	1900	350	35	2460	240	200	125	32	18	132
400LB1			1385					1770							2515						
400LC1			1485					1870							2620						
450LL1			1370					1738							2460						
450LB1	450	750	1520	160	890	400	400	1890	280	125	40	1950	350	35	2700	240	200	140	36	20	148
450LB2			1670					2040							2850						

Note : Due to our commitment to ongoing technological progress, we reserve the right to modify the technical specification without prior notice.

D.C MOTOR

OUTLINE DIMENSIONS

www.cutes.com.tw



Frame	C	2E	2F	J	M	KA	KB	N	XB	XC	HA	H	K	Z	L	Q	QK	S	W	T	GA
500A1	500	900	1360	185	1074	415	415	1746	290	140	40	2000	340	35	2500	240	200	160	40	22	169.4
500C1			1460					1846							2600						
500C2			1560					1946							2700						
500D1			1710					2096							2850						
560L1	560	1000	1140	250	1240	445	445	1700	400	130	45	2230	360	35	2680	240	200	180	45	25	190.4
560A1			1320					1880							2860						
560C1			1400					1960							2930						
630L1	630	1180	1250	300	1400	450	450	1754	400	150	50	2550	360	42	2850	280	240	200	45	25	210
630A1			1350					1854							2960						
630B1			1520					2024							3120						
710L1	710	1250	1400	220	1415	420	545	1825	450	240	45	2600	360	50	3050	350	300	210	50	28	221
710B1			1600					2025							3250						
710C1			1700					2125							3400						
800A1	800	1400	1290	245	1585	500	725	1830	450	240	45	2800	400	50	3070	400	350	250	56	32	262
800B1			1420					2060							3200						
800C1			1590					2200							3370						

Note : Due to our commitment to ongoing technological progress, we reserve the right to modify the technical specification without prior notice.



Head Office and Factory

CUTES CORPORATION

No. 2-22 Nan Yuan Road, Chung Li City (320), TAIWAN

Tel : +886-3-4612333 • 886-3-4526161 (Hunting)

Fax : +886-3-4526227 • 886-3-4511347

E-mail : sales@cutes.com.tw

cutescop@ms1.hinet.net

http : //www.cutes.com.tw



**ISO 9001
CERTIFICATED**