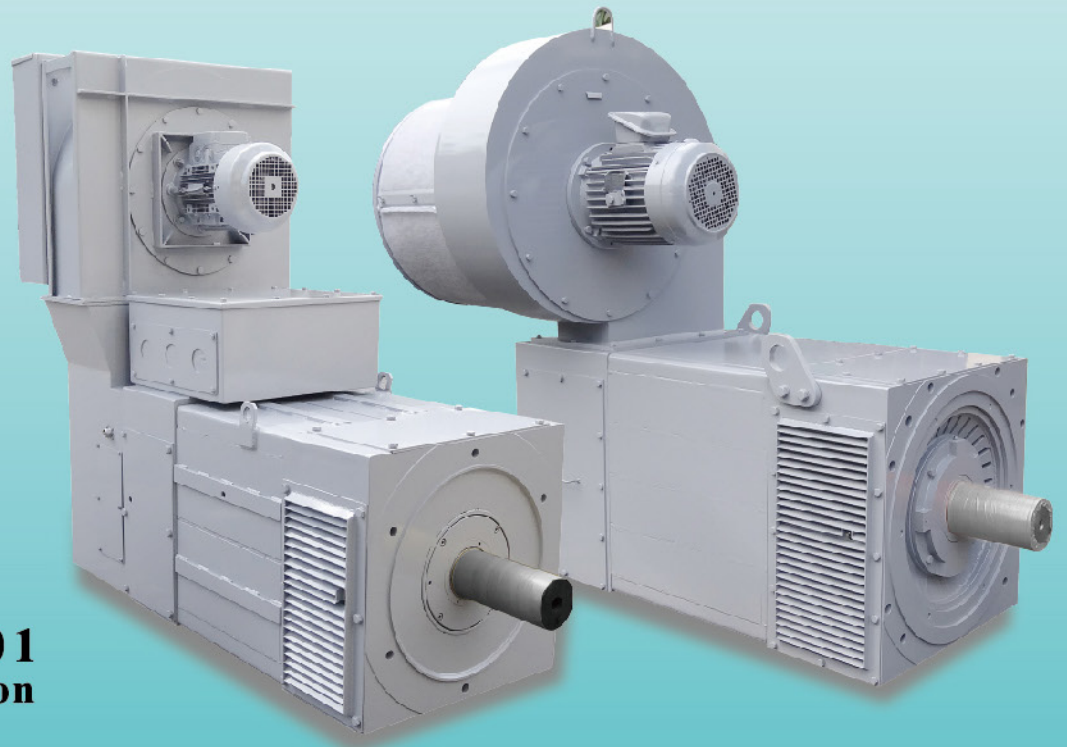




AC INDUCTION SERVO MOTOR ▶▶



高動態響應

High Dynamical Response

穩定之運轉特性

Stable Operation Performance

最大與額定轉矩之良好關係

Excellent Relation Between Maximum And Rated torque

堅固簡單不需保養

Sturdy & Simple Construction Not Requiring Maintenance

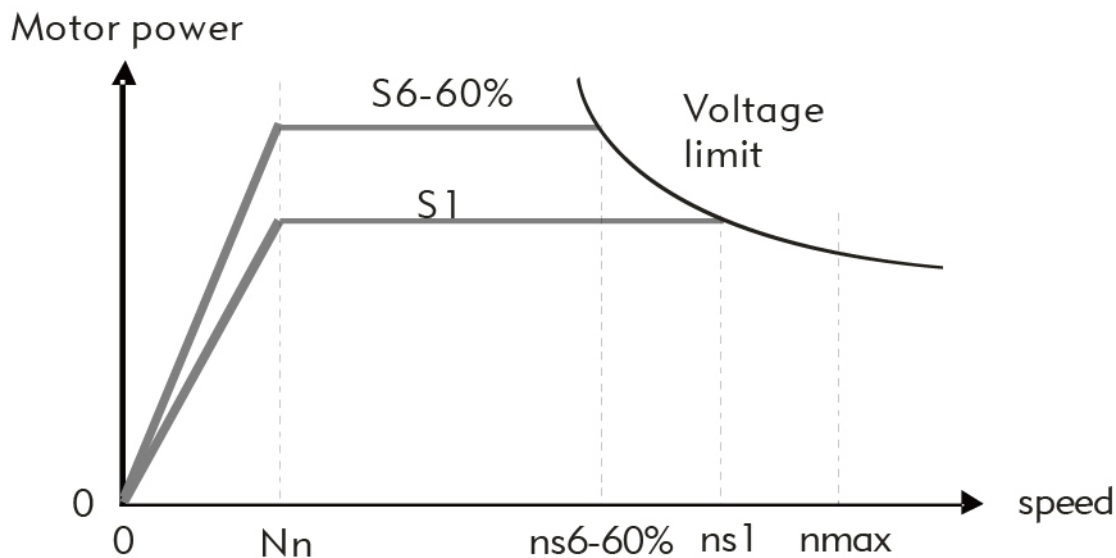
The following duty types in accordance with IEC 60034-1

S1: Continuous duty

S6: Continuous duty with intermittent loading and a relative duty factor 60%

(S6-60%) or 40% (S6-40%) with a maximum duty cycle time of 10 minutes

CHARACTERISTIC CURVES



KEY-WORDS

N_n : Rated speed

n_{s1} : Maximum speed at constant power P_N (S1 duty)

$n_{s6-60\%}$: Maximum speed at constant power (s6-60% duty)

M_N : Rated torque

I_N : Rated current

U_N : Rated Voltage

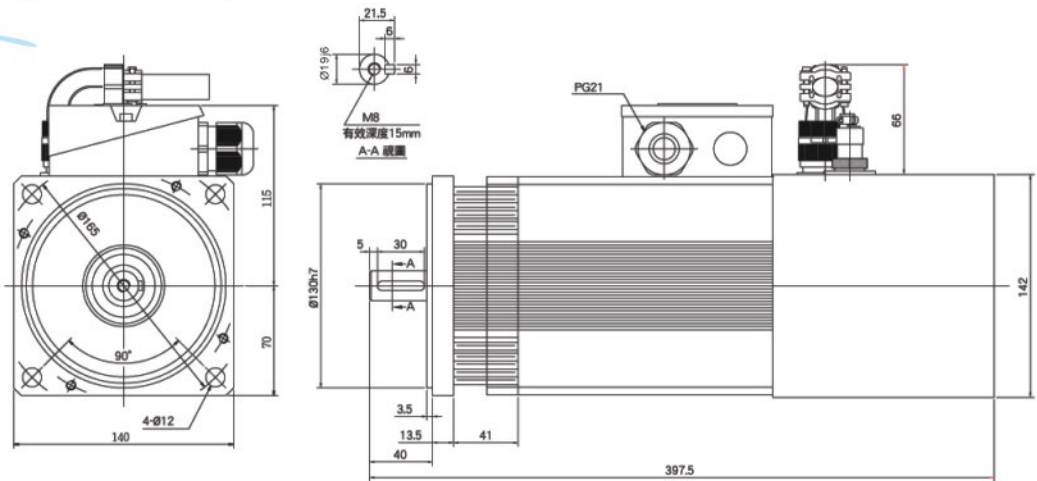
J : Moment of inertia

W : Motor Weight



IP54 IM5-80

B5立式

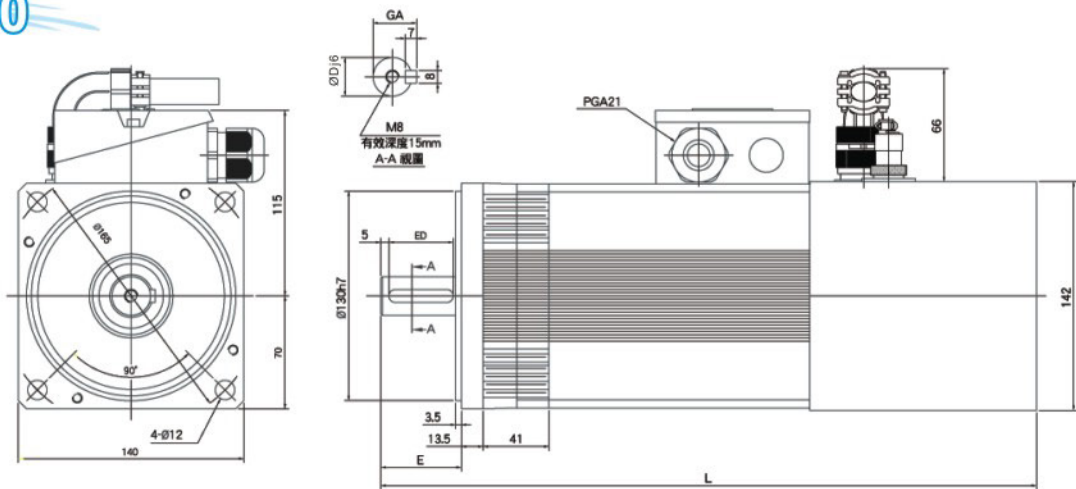


風扇 1ø230V 50/60Hz 45/39W

框號 Size	額定輸出 Rated Output	額定轉速 Rated Speed	額定轉矩 Rated Torque		額定電流 Rated Current		額定頻率 Rated Frequency	轉動慣量 Rotor Inertial	重量 Weight
	KW	RPM	N-M	KG-M	220V	380V	HZ	KG-M ²	KG
IM5-80A	0.75	2000	3.62	0.37	3.0	1.7	69.5	0.0020	13.0
IM5-80B	1.1	2000	5.29	0.54	4.2	2.4	70.0	0.0025	14.4

IP54 IM5-90

B5立式



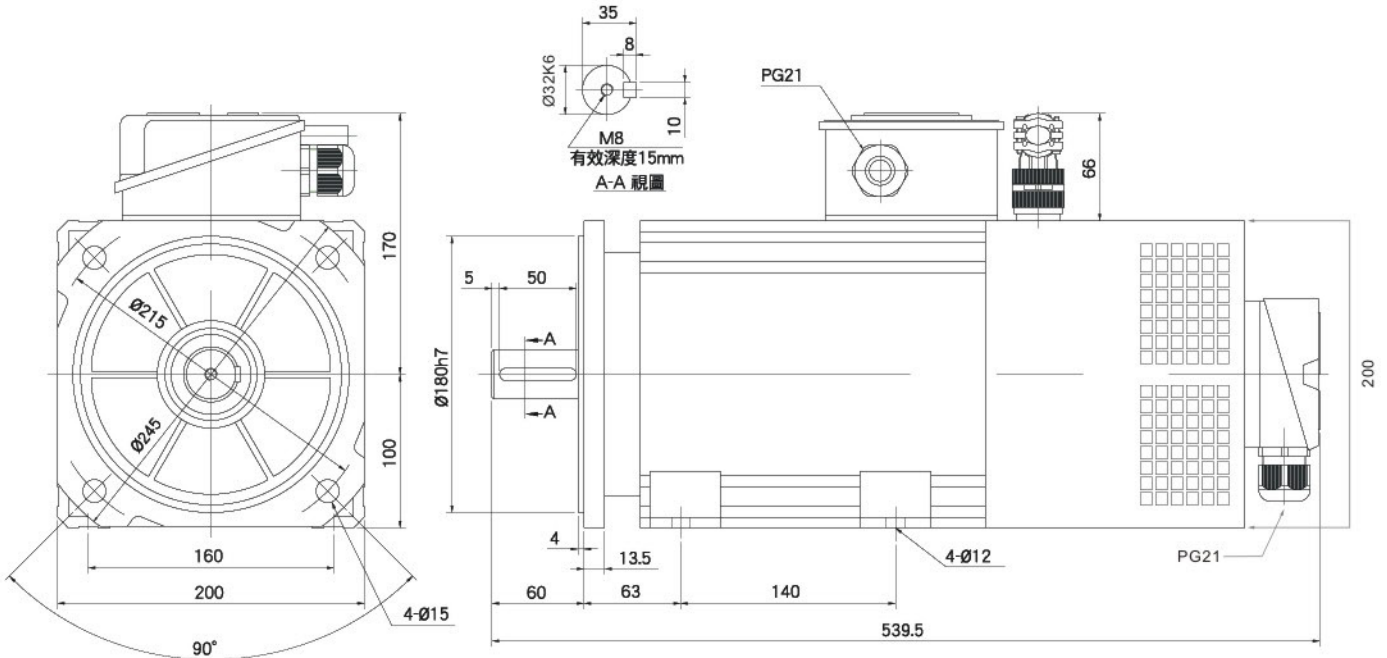
	E	ED	D	GA	L
90A	50	40	24	27	408
90B	50	40	24	27	433
90L	60	50	28	31	508

風扇 1ø230V 50/60Hz 45/39W

框號 Size	額定輸出 Rated Output	額定轉速 Rated Speed	額定轉矩 Rated Torque		額定電流 Rated Current		額定頻率 Rated Frequency	轉動慣量 Rotor Inertial	重量 Weight
	KW	RPM	N-M	KG-M	220V	380V	HZ	KG-M ²	KG
IM5-90A	1.1	1500	7.05	0.72	4.4	2.6	52.6	0.003	16.4
	1.5	2000	7.25	0.74	5.6	3.2	69.9		
IM5-90B	1.6	1500	10.19	1.04	6.3	3.6	53.0	0.0038	18.9
	2.2	2000	10.58	1.08	8.0	4.6	70.5		
IM5-90L	(1.5kw)	1000	14.33	1.463	6.1	3.5	36.1	0.0059	26
	2.7	1500	17.25	1.76	10.3	5.9	52.8		
	3.7	2000	17.74	1.81	13.5	7.8	70.6		

IP54 IM5-100

B3 / B5立臥式



風扇 1ø230V 50/60Hz 82/100W

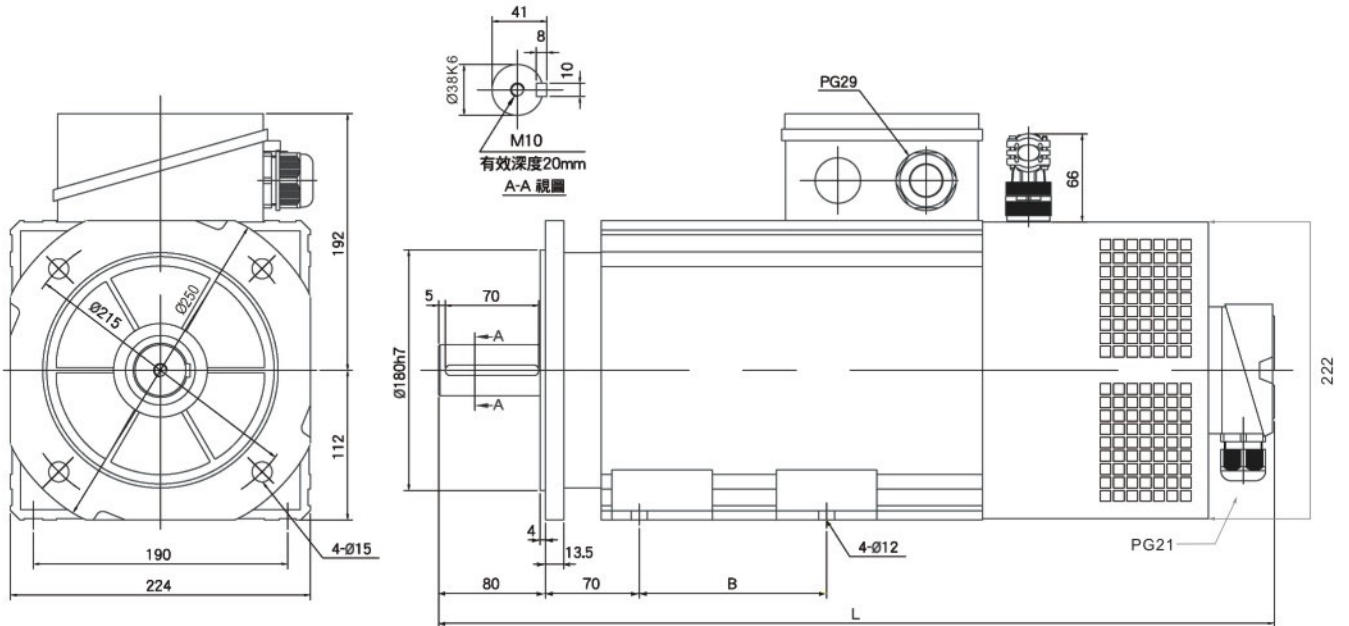
加剎車 $539.5 + 100 = 639.5$

框號 Size	額定輸出 Rated Output	額定轉速 Rated Speed	額定轉矩 Rated Torque		額定電流 Rated Current		額定頻率 Rated Frequency	轉動慣量 Rotor Inertial	重量 Weight
	KW	RPM	N-M	KG-M	220V	380V	Hz	KG-M ²	KG
IM5-100A	2.8	1500	17.83	1.82	9.9	5.7	52.9	0.0061	29.5
	3.8	2000	18.23	1.86	13.2	7.6	69.4		
IM5-100B	(2.2kw)	1000	21.01	2.144	8.7	5.0	35.8	0.0076	33
	4.0	1500	25.48	2.60	14.6	8.4	53.1		
	5.5	2000	26.36	2.69	18.6	10.7	69.7		



IP54 IM5-112

B3 / B5立臥式



	B	L
112L	140	625
112A	165	655
112B	245	735

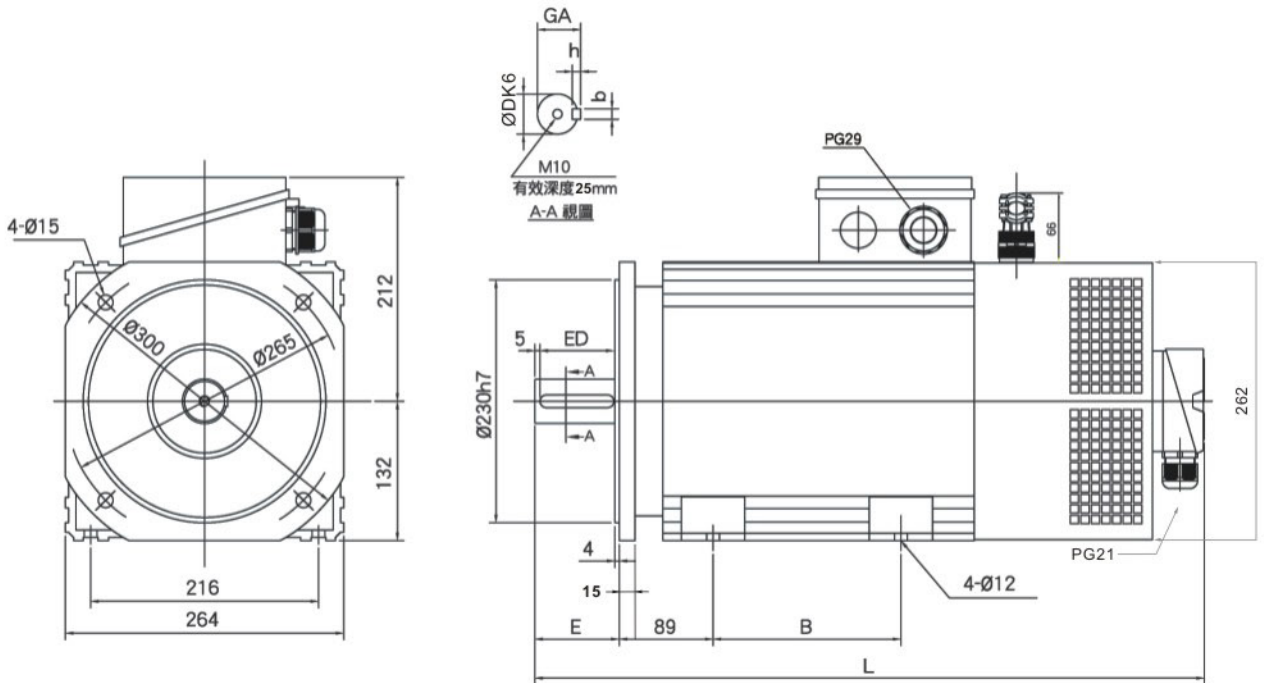
風扇 1ø230V 50/60Hz 82/100W

加剎車 L+100

框號 Size	額定輸出 Rated Output	額定轉速 Rated Speed	額定轉矩 Rated Torque		額定電流 Rated Current		額定頻率 Rated Frequency	轉動慣量 Rotor Inertial	重量 Weight
	KW	RPM	N-M	KG-M	220V	380V	HZ	KG-M ²	KG
IM5-112L	(3.7kw)	1000	35.28	3.6	13.5	7.8	35.4	0.0153	45
	5.5	1500	35.08	3.58	19.6	11.3	52.1		
	7.5	2000	35.87	3.66	25.2	14.6	69.0		
IM5-112A	(5.5kw)	1000	52.52	5.36	20.4	11.8	35.6	0.0212	65
	8.2	1500	51.94	5.3	27.9	16.1	52.0		
	11.0	2000	52.63	5.37	39.0	22.5	69.0		
IM5-112B	(7.5kw)	1000	71.54	7.3	26.0	15.0	35.4	0.0282	72
	11.0	1500	71.25	7.27	37.9	21.9	52.4		
	15.0	2000	71.64	7.31	48.5	28.0	69.0		

IP54 IM5-132

B3 / B5立臥式



	B	D	E	ED	b	h	GA	L
132A	138	38	80	70	10	8	41	595
132B	178	42	110	100	12	8	45	665
132L	287	42	110	100	12	8	45	750
132LA	332	42	110	100	12	8	45	795

風扇 1ø230V 50/60Hz 105/145W

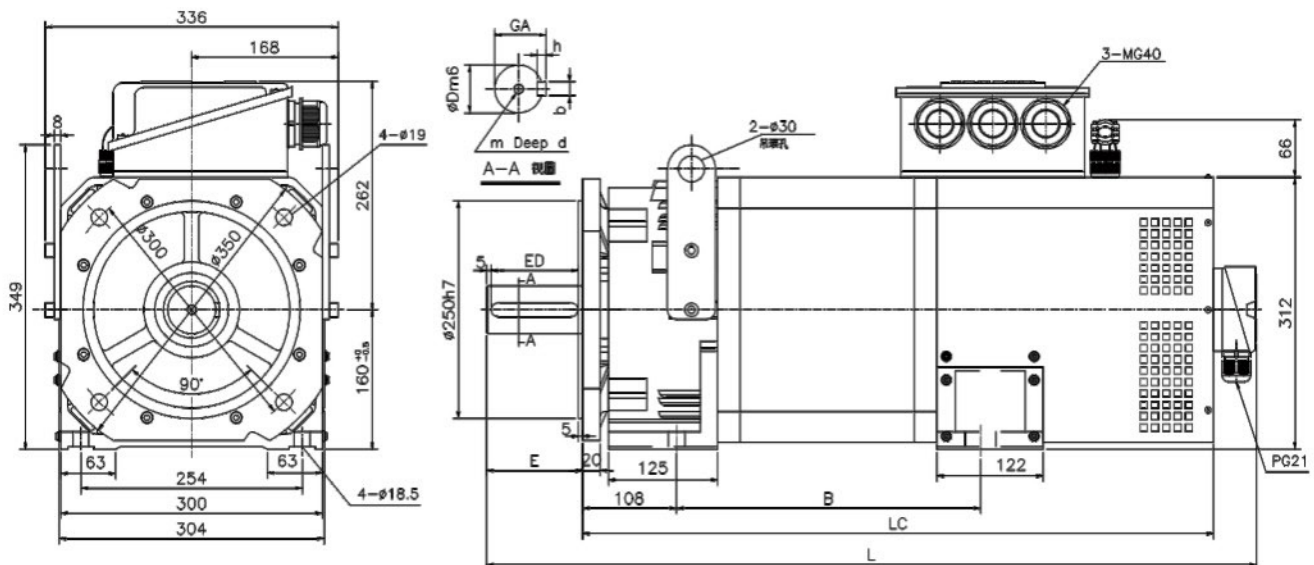
加剎車 L+100

框號 Size	額定輸出 Rated Output	額定轉速 Rated Speed	額定轉矩 Rated Torque		額定電流 Rated Current		額定頻率 Rated Frequency	轉動慣量 Rotor Inertial	重量 Weight
	KW	RPM	N-M	KG-M	220V	380V	HZ	KG-M ²	KG
IM5-132A	11.0	1500	69.97	7.14	36.3	21.0	51.7	0.0404	77.5
	15.0	2000	71.64	7.31	48.3	27.9	68.7		
IM5-132B	13.8	1500	87.91	8.97	45.2	26.1	51.6	0.0498	87.0
	18.5	2000	88.40	9.02	60.0	34.6	68.4		
IM5-132L	(11kw)	1000	105.05	10.72	37.40	21.60	34.90	0.0608	107
	16.5	1500	105.06	10.72	54.6	31.5	51.5		
	22.0	2000	105.06	10.72	71.1	41.1	68.2		
IM5-132LA	(15kw)	1000	143.18	14.61	50.9	29.4	34.9	0.0735	123
	22.0	1500	139.16	14.2	73.1	42.2	51.7		
	30.0	2000	143.28	14.62	103.6	59.8	68.5		



IP54 IM5-160

B3 / B5立臥式



	B	D	E	ED	bxh	mxd	GA	L	LC
160S	349	55	110	100	16x10	M12x35	59	884	725
160M	399	60	140	130	18x11	M16x40	64	964	775
160L	449	60	140	130	18x11	M16x40	64	1014	825
160X	529	60	140	130	18x11	M16x40	64	1094	905

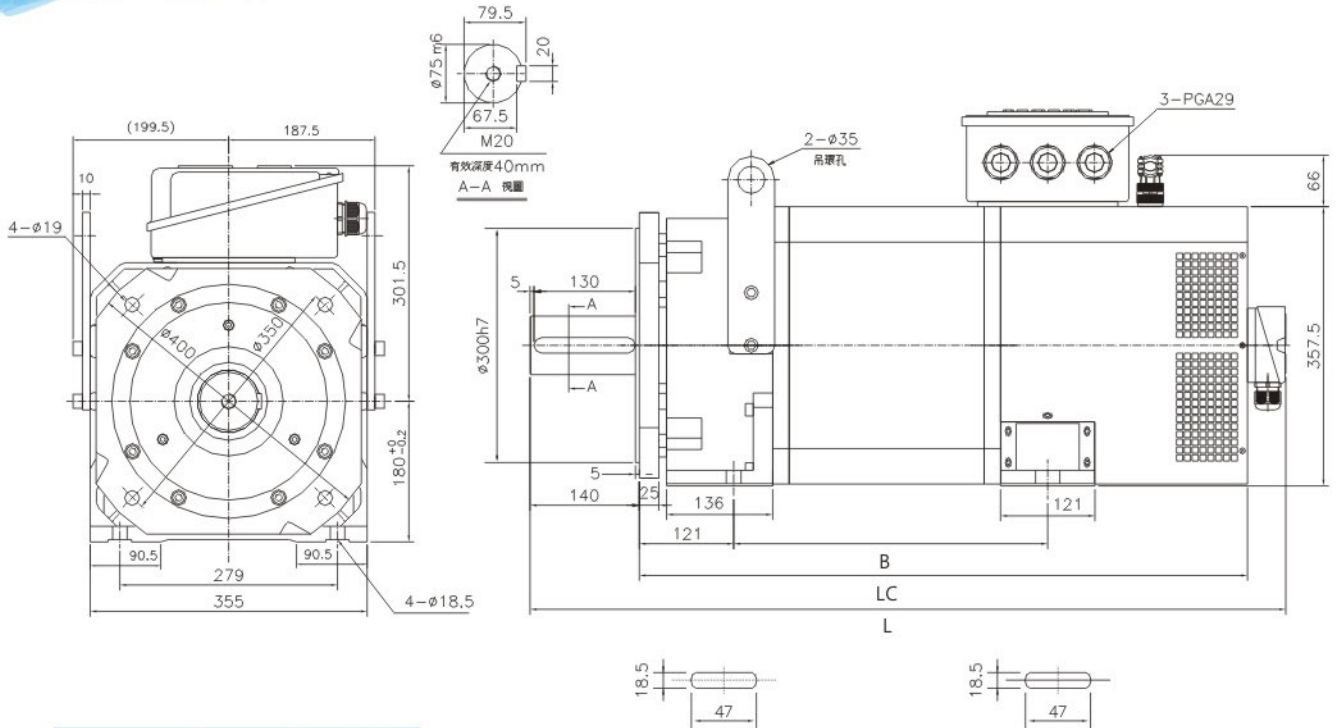
風扇 1ø230V 50/60Hz 155/215W

加剎車 L+100

框號 Size	額定輸出 Rated Output	額定轉速 Rated Speed	額定轉矩 Rated Torque		額定電流 Rated Current		額定頻率 Rated Frequency	轉動慣量 Rotor Inertial	重量 Weight
	KW	RPM	N-M	KG-M	220V	380V	HZ	KG-M ²	KG
IM5-160S	22	1500	140.24	14.31	74.1	42.8	50.9	0.1675	220.0
	30	2000	143.37	14.63	100.8	58.2	67.6		
IM5-160M	28	1500	178.16	18.18	90.1	52.0	50.8	0.2054	250.0
	37	2000	177.09	18.07	120.1	69.4	67.6		
IM5-160L	22	1000	210.01	21.43	71.0	41.0	34.2	0.2427	280.0
	37	1500	217.17	22.16	108.4	62.6	50.9		
	45	2000	214.91	21.93	148.5	85.7	67.5		
IM5-160X	30	1000	286.45	29.23	103.8	60.0	34.2	0.3023	330.0
	45	1500	286.45	29.23	146.0	84.2	50.8		
	55	2000	263.42	26.88	178.4	103.0	67.5		

IP54 IM5-180

B3 / B5立臥式



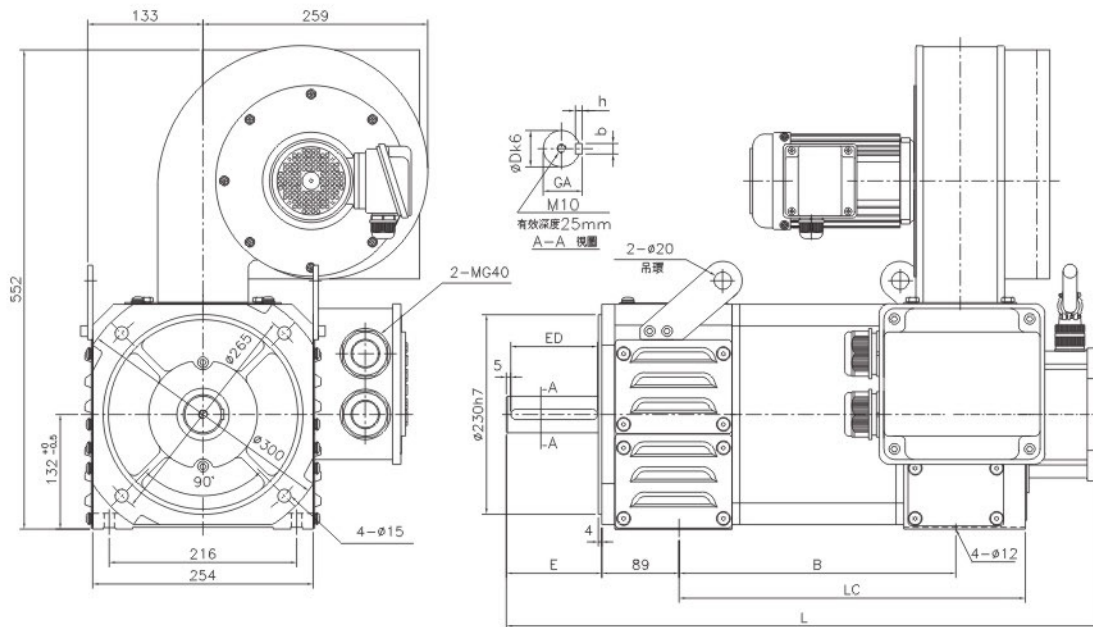
	B	LC	L
180P	380	780	969
180S	430	830	1019
180M	475	875	1064
180L	560	960	1149
180X	630	1030	1219

風扇 1ø230V 50/60Hz 155/215W

框號 Size	額定輸出 Rated Output	額定轉速 Rated Speed	額定轉矩 Rated Torque		額定電流 Rated Current	額定頻率 Rated Frequency	轉動慣量 Rotor Inertial	重量 Weight
	KW	RPM	N-M	KG-M	380V	HZ	KG-M ²	Kg
IM5-180P	37	1000	353.78	36.1	73.5	51.3	0.5463	315.0
	55	1500	350.84	35.8	107.8	76.2		
	69	2000	328.3	33.5	133.5	101.2		
IM5-180S	50	1000	477.26	48.7	99.7	51.2	0.6466	360.0
	75	1500	477.85	48.76	146.1	76.3		
	94	2000	449.82	45.9	182.2	101.0		
IM5-180M	60	1000	573.3	58.5	120.6	51.2	0.7369	400.0
	90	1500	573.50	58.52	175.9	76.2		
	113	2000	539.98	55.1	215.9	101.3		
IM5-180L	73	1000	700.7	71.5	146.0	51.2	0.9075	478.0
	110	1500	700.41	71.47	212.8	76.2		
	138	2000	657.58	67.1	261.1	101.4		
IM5-180X	90	1000	839.86	85.7	176.3	51.4	1.0479	530.0
	132	1500	840.84	85.8	254.4	76.4		
	165	2000	787.92	80.4	314.0	101.4		



IP23 IM2-132

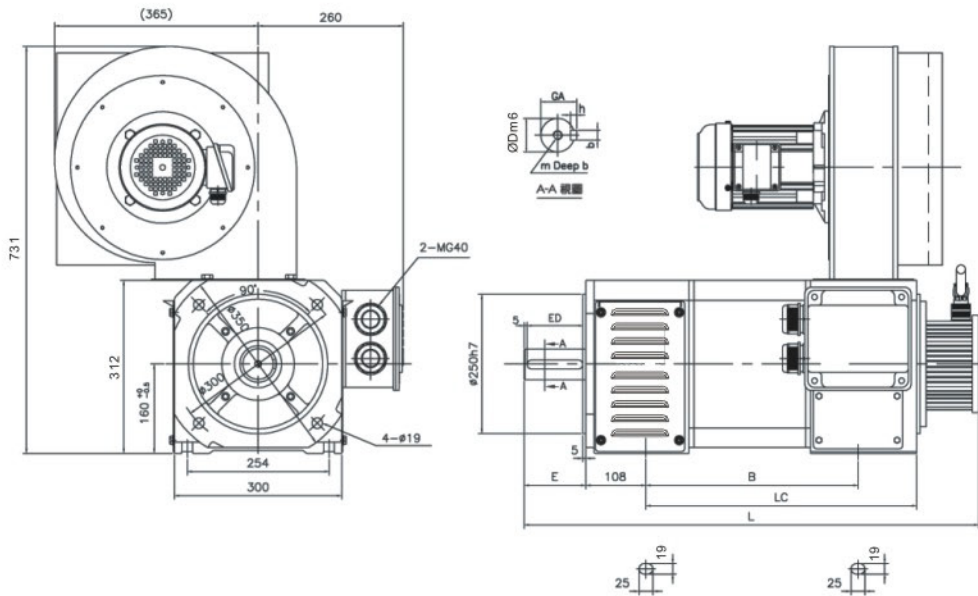


	B	D	E	ED	bxh	GA	LC	L
132S	319	38	80	70	8x10	41	658	399
132M	359	42	110	100	8x12	45	728	439
132L	429	42	110	100	8x12	45	798	509
132X	499	42	110	100	8x12	45	868	579

風扇 3 ϕ 220V/380V 50/60Hz 3.5/2.1A

框號 Size	額定輸出 Rated Output	額定轉速 Rated Speed	額定轉矩 Rated Torque		額定電流 Rated Current		額定頻率 Rated Frequency	轉動慣量 Rotor Inertial	重量 Weight
	KW	RPM	N-M	KG-M	220V	380V	HZ	KG-M ²	KG
IM2-132S	3.7	500	70.66	7.21	13.1	7.6	18.0	0.0448	112.0
	7.5	1000	71.64	7.31	24.8	14.3	34.7		
	11	1500	70.07	7.15	36.4	20.6	51.3		
	15	2000	71.64	7.31	47.8	27.6	68.1		
IM2-132M	4.6	500	87.91	8.97	16.3	9.4	18.1	0.0598	126.7
	9.2	1000	87.91	8.97	30.1	17.4	34.8		
	13.8	1500	87.91	8.97	44.0	25.4	51.6		
	18.5	2000	88.30	9.01	58.8	34.0	68.1		
IM2-132L	5.5	500	105.06	10.72	18.9	10.9	17.9	0.0685	136.6
	11	1000	105.06	10.72	35.8	20.7	34.6		
	16.5	1500	105.06	10.72	52.8	30.5	51.3		
	22	2000	105.06	10.72	71.1	41.1	67.9		
IM2-132X	7.5	500	143.28	14.62	25.8	14.9	18.0	0.0898	156.1
	15	1000	143.28	14.62	48.4	28.0	34.7		
	22	1500	140.04	14.29	67.9	40.2	51.3		
	30	2000	143.28	14.62	94.1	54.3	68.0		

IP23 IM2-160

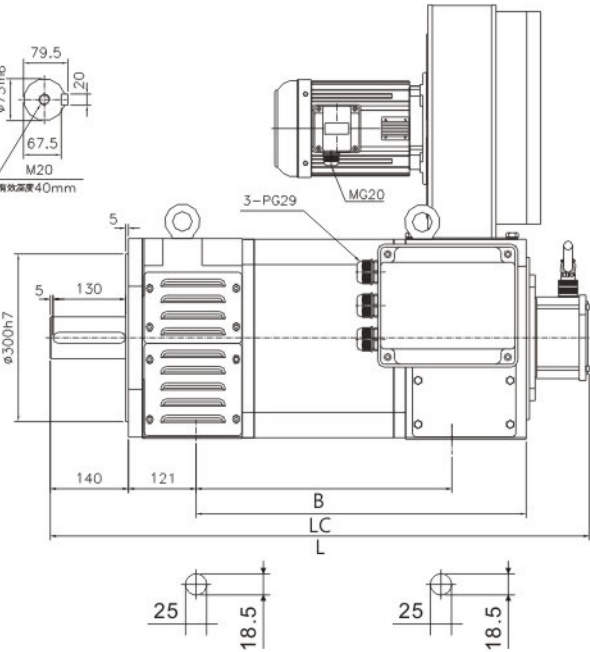
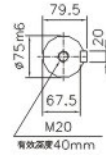
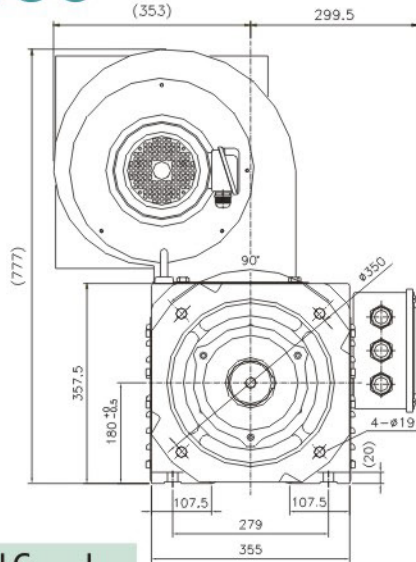
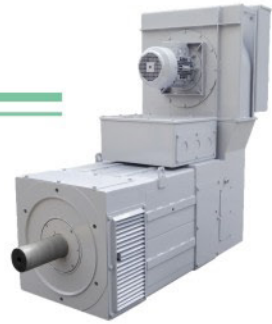


	B	D	E	ED	bxh	mxh	GA	LC	L
160S	414	55	110	100	16x10	M12x35	59	519	849
160M	464	60	140	130	18x11	M16x40	64	569	929
160L	514	60	140	130	18x11	M16x40	64	619	979
160X	594	60	140	130	18x11	M16x40	64	699	1059

風扇 3φ220V/380V 50/60Hz 3.5/2.1A

框號 Size	額定輸出 Rated Output	額定轉速 Rated Speed	額定轉矩 Rated Torque		額定電流 Rated Current		額定頻率 Rated Frequency	轉動慣量 Rotor Inertial	重量 Weight
	KW	RPM	N-M	KG-M	220V	380V	HZ	KG-M ²	KG
IM2-160S	9	500	171.79	17.53	33.2	19.2	17.6	0.1675	240.0
	18.5	1000	176.89	18.05	63.7	36.8	34.3		
	30	1500	191.20	19.51	103.9	59.5	51.0		
	37	2000	177.28	18.09	122.0	70.4	67.7		
IM2-160M	11	500	210.11	21.44	38.2	22.0	17.6	0.2054	270.0
	22	1000	210.11	21.44	72.6	41.9	34.3		
	37	1500	235.89	24.07	118.9	68.6	51.0		
	45	2000	215.21	21.96	141.4	81.7	67.7		
IM2-160L	15	500	286.94	29.28	55.6	32.1	17.6	0.2427	300.0
	30	1000	286.94	29.28	96.7	55.9	34.4		
	45	1500	286.94	29.28	144.4	83.4	51.1		
	55	2000	263.52	26.89	173.7	100.3	67.7		
IM2-160X	18.5	500	353.88	36.11	66.3	38.3	17.6	0.3023	350.0
	37	1000	353.88	36.11	129.1	74.5	34.3		
	55	1500	350.64	35.78	188.3	108.7	50.9		
	65	2000	310.56	31.69	203.0	117.2	67.6		

IP23 IM2-180

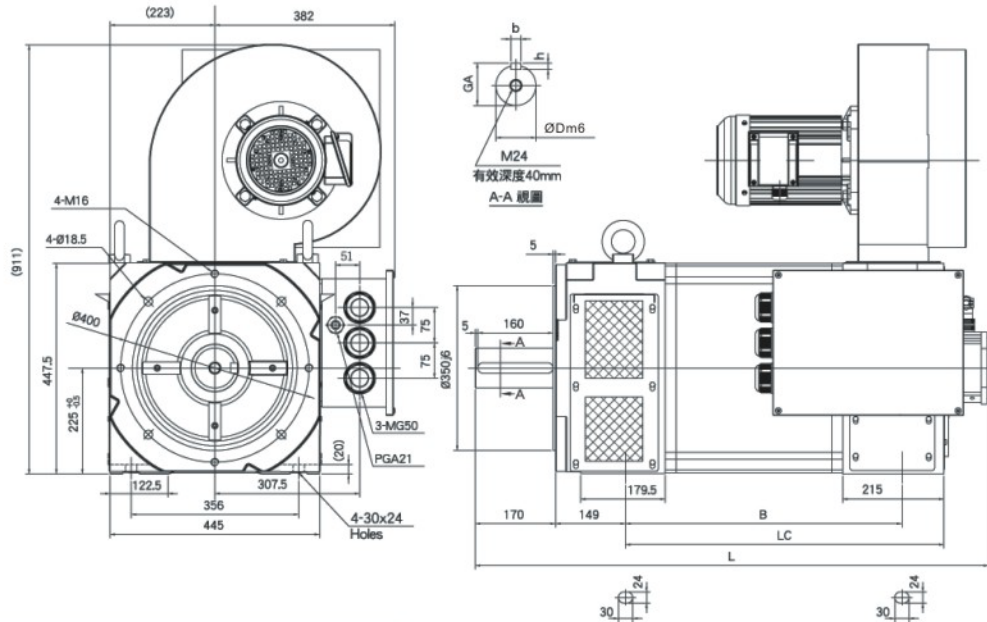


	B	LC	L
180P	458	591	965
180S	508	641	1015
180M	553	686	1060
180L	638	771	1145
180X	708	841	1215

風扇 3ø220V/380V 50/60Hz 5.6/3.2A

框號 Size	額定輸出 Rated Output	額定轉速 Rated Speed	額定轉矩 Rated Torque		額定電流 Rated Current	額定頻率 Rated Frequency	轉動慣量 Rotor Inertial	重量 Weight
	KW	RPM	N-M	KG-M	380V	HZ	KG-M ²	KG
IM2-180P	25	500	479.02	48.88	56.0	26.3	0.5463	345.0
	50	1000	478.63	48.84	103.8	51.4		
	75	1500	477.65	48.74	151.5	76.4		
	90	2000	430.22	43.9	180.1	101.3		
IM2-180S	30	500	573.89	58.56	64.5	26.3	0.6466	390.0
	60	1000	572.91	58.46	122.9	51.4		
	90	1500	573.40	58.51	178.0	76.4		
	113	2000	539.98	55.1	219.5	101.4		
IM2-180M	37	500	708.05	72.25	78.4	26.4	0.7369	430.0
	70	1000	669.34	68.3	138.8	51.3		
	100	1500	637	65	197.3	76.3		
	130	2000	621.03	63.37	248.9	101.3		
IM2-180L	45	500	861.52	87.91	96.9	26.4	0.9075	505.0
	85	1000	812.62	82.92	178.0	51.2		
	132	1500	840.84	85.8	276.0	76.3		
	160	2000	764.69	78.03	310.7	101.4		
IM2-180X	50	500	956.87	97.64	107.3	26.3	1.0479	560.0
	100	1000	956.09	97.56	201.7	51.4		
	150	1500	955.01	97.45	303.0	76.3		
	187	2000	893.76	91.2	360.1	101.4		

IP23 IM2-225

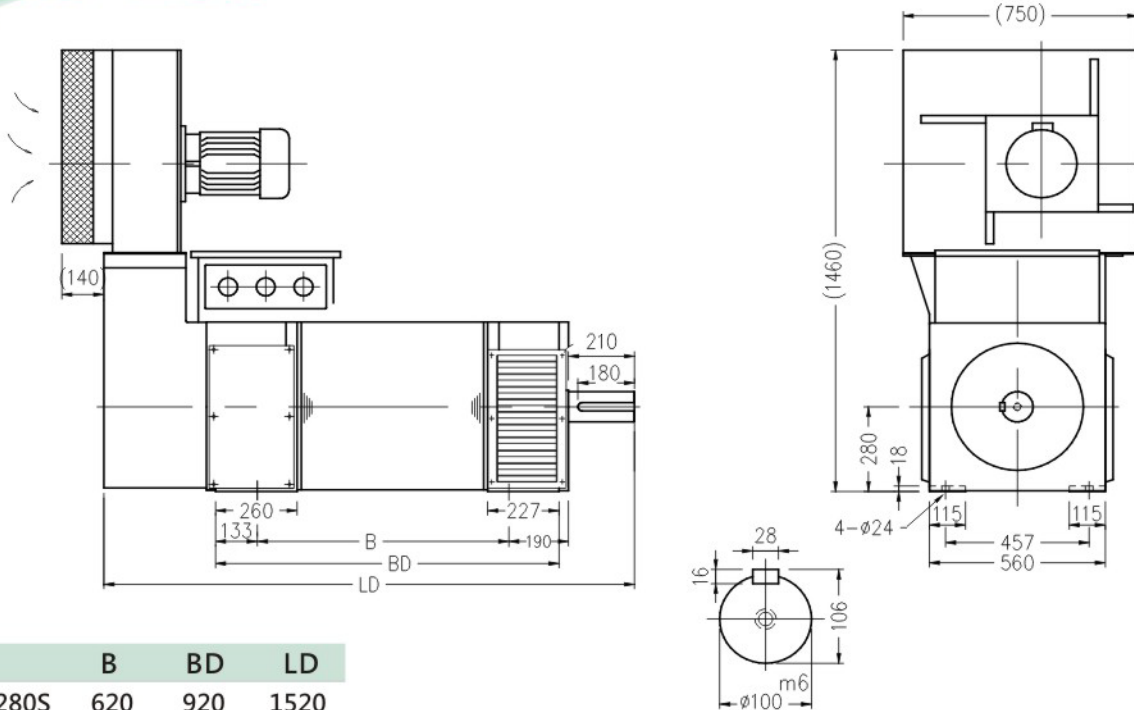
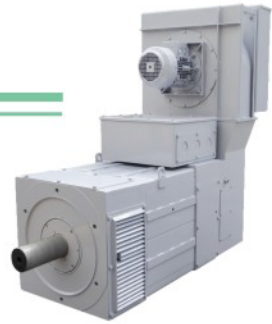


	B	D	bxh	GA	LC	L
225S	587	85	22x14	90	676	1090
225M	657	85	22x14	90	746	1160
225L	757	95	25x14	100	846	1260
225X	857	95	25x14	100	946	1360

風扇 3ø220V/380V 50/60Hz 8/4.6A

框號 Size	額定輸出 Rated Output	額定轉速 Rated Speed	額定轉矩 Rated Torque		額定電流 Rated Current	額定頻率 Rated Frequency	轉動慣量 Rotor Inertial	重量 Weight
	KW	RPM	N-M	KG-M	380V	HZ	KG-M ²	KG
IM2-225S	55	500	1049.97	107.14	109.0	25.8	1.7946	710.0
	115	1000	1098.19	112.06	224.0	50.8		
	168	1500	1068.2	109.0	330.0	75.8		
IM2-225M	75	500	1432.76	146.2	149.0	25.9	2.1492	800.0
	150	1000	1432.76	146.2	287.0	50.9		
	220	1500	1400.42	142.9	414.0	75.9		
IM2-225L	300	2000	1432.76	146.2	555.0	100.9	2.6569	870.0
	84	500	1604.26	163.7	163.4	25.8		
	168	1000	1604.26	163.7	313.0	50.8		
IM2-225X	250	1500	1591.52	162.4	464.0	75.8	3.1608	1050.0
	330	2000	1575.84	160.8	644.0	100.7		
	100	500	1908.06	194.7	191.2	25.8		
	200	1000	1908.06	194.7	377.6	50.9		
	300	1500	1908.06	194.7	541.5	75.8		
	375	2000	1790.46	182.7	672.3	101.0		

IP23 IMD-280

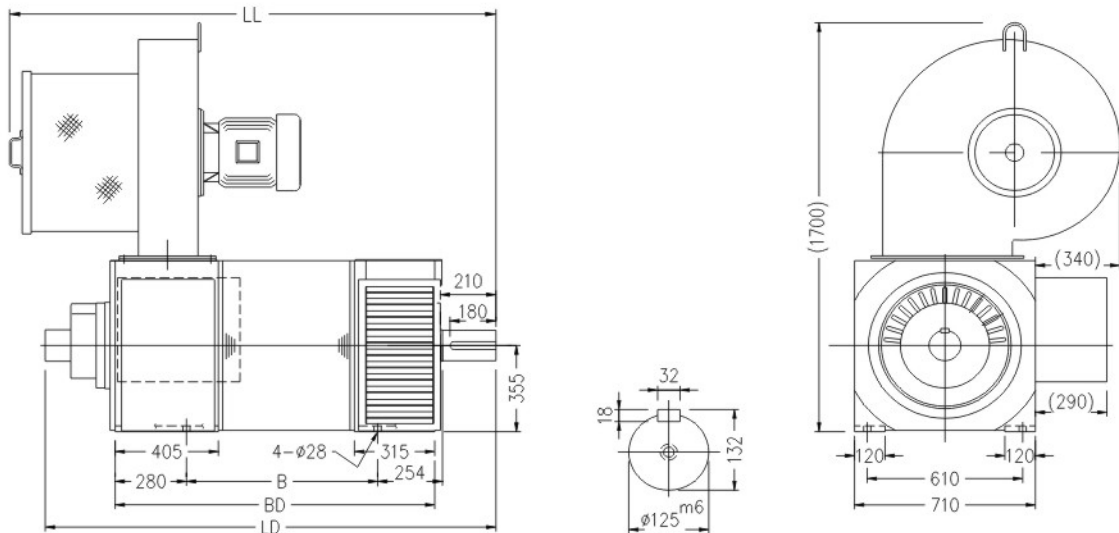


	B	BD	LD
280S	620	920	1520
280M	700	1000	1600
280L	800	1100	1700
280A	920	1220	1820

風扇 3ø220V/380V 50/60Hz 14.2/8.2A

框號 Size	額定輸出 Rated Output	額定轉速 Rated Speed	額定轉矩 Rated Torque		額定電流 Rated Current	轉動慣量 Rotor Inertial	重量 Weight
TYPE	KW	RPM	N-M	KG-M	380V	KG-CM ²	KG
IMD-280S-11005	110	500	2100	214.3	216	4.0	1350
IMD-280S-22010	220	1000	2100	214.3	432		
IMD-280S-37015	370	1500	2354	240.2	660		
IMD-280S-45020	450	2000	2148	219.2	800	4.8	1500
IMD-280M-13205	132	500	2520	257.1	256		
IMD-280M-26510	265	1000	2529	258	512		
IMD-280M-44015	440	1500	2800	285.7	784	5.8	1700
IMD-280M-55020	550	2000	2625	267.8	976		
IMD-280L-15005	150	500	2864	292.2	288		
IMD-280L-30010	300	1000	2864	292.2	576	7.0	1850
IMD-280L-50015	500	1500	3182	324.7	888		
IMD-280L-65020	650	2000	3102	316.5	1152		
IMD-280A-18505	185	500	3532	360.4	352	7.0	1850
IMD-280A-37010	370	1000	3532	360.4	704		
IMD-280A-55015	550	1500	3500	357.1	976		
IMD-280A-72020	720	2000	3436	350.6	1272		

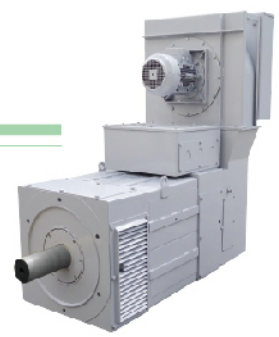
IP23 IMD-355



	B	BD	LD	LL
355SS	650	1154	1665	1860
355S	750	1254	1765	1960
355M	850	1354	1865	2060
355L	970	1474	1985	2180

風扇 3ø220V/380V 50/60Hz 26.8/15.5A

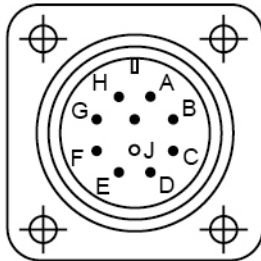
框號 Size	額定輸出 Rated Output	額定轉速 Rated Speed	額定轉矩 Rated Torque		額定電流 Rated Current		轉動慣量 Rotor Inertial	重量 Weight
TYPE	KW	RPM	N-M	KG-M	380V	660V	KG-CM ²	KG
IMD-355SS-22005	220	500	4200	428.6	515	298	16.9	2500
IMD-355SS-42010	420	1000	4009	409.1	985	568		
IMD-355SS-60015	600	1500	3818	389.6	1407	812		
IMD-355SS-70018	700	1800	3712	378.8	1641	948		
IMD-355S-26505	265	500	5059	516.2	512	295	19.5	2800
IMD-355S-50010	500	1000	4773	487	960	552		
IMD-355S-72015	720	1500	4582	467.5	1240	712		
IMD-355S-83018	830	1800	4401	449.1	1424	820		
IMD-355M-30005	300	500	5727	584.4	576	331	22.9	3150
IMD-355M-58510	585	1000	5584	569.8	1120	644		
IMD-355M-83015	830	1500	5282	538.98	1424	820		
IMD-355M-95018	950	1800	5038	514.1	1624	936		
IMD-355L-35005	350	500	6682	681.8	672	384	26.4	3500
IMD-355L-65010	650	1000	6204	633	1240	712		
IMD-355L-95015	950	1500	6045	616.8	1624	936		
IMD-355L-110018	1100	1800	5833	595.2	1880	1080		



剎車規格表(IM5) 感應伺服馬達IP54

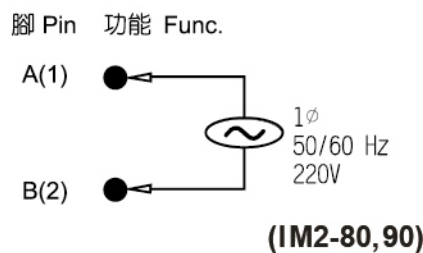
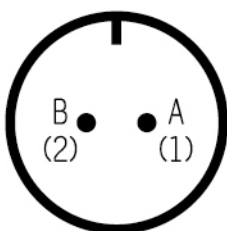
項次 Item	型號 Description	框號 Frame	工作電壓 (V)	瓦特 (W)	安培 (A)
1	DC 90V 斷電煞車	IM5-90	1Ø 220Vac	242W	1.35A
2	DC 90V 斷電煞車	IM5-100	1Ø 220Vac	286W	1.70A
3	DC 90V 斷電煞車	IM5-112	1Ø 220Vac	330W	2.10A
4	DC 90V 斷電煞車	IM5-132	1Ø 220Vac	451W	2.60A
5	DC 90V 斷電煞車	IM5-160	1Ø 220Vac	495W	2.75A
6	DC 90V 斷電煞車	IM5-180	1Ø 220Vac	550W	3.00A

編碼器接頭 Encoder Connector

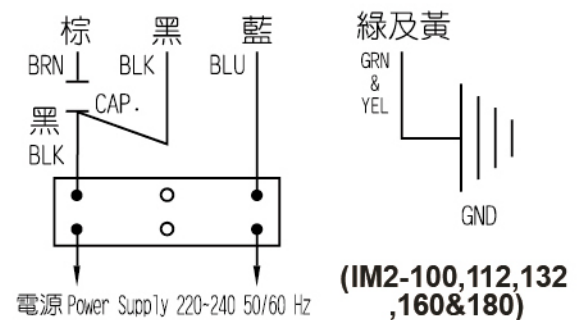


腳 Pin	功能 Func.
A	A
B	B
C	Z
D	A̅
E	B̅
F	Z̅
G	遮蔽 Shield
H	電源 Power
I	COM Common
J	---

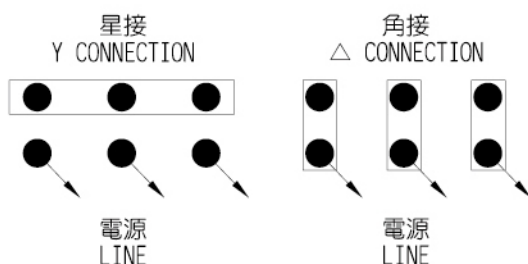
風扇接頭 Fan Connector



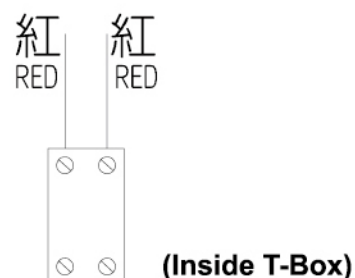
風扇端子台 Fan Terminal Board



主電源端子台 Terminal Board for Main Power (Include SA series #132~280 Blower Terminal Board)



熱保護器 Thermal Protector





Head Office and Factory

CUTES CORPORATION

No. 2-22 Nan Yuan Road, Chung Li City (320), TAIWAN

Tel : +886-3-4612333 • 886-3-4526161 (Hunting)

Fax : +886-3-4526227 • 886-3-4511347

E-mail : sales@cutes.com.tw

cutescop@ms1.hinet.net

<http://www.cutes.com.tw>



**ISO 9001
CERTIFICATED**

2018.07.500